

Livo GEN4 Indoor and Outdoor Units

Indoor Units

4LIV09HP115V1AH
4LIV12HP115V1AH
4LIV05HP230V1AH
4LIV07HP230V1AH
4LIV09HP230V1AH
4LIV12HP230V1AH
4LIV18HP230V1AH
4LIV24HP230V1AH
4LIV30HP230V1AH
4LIV36HP230V1AH

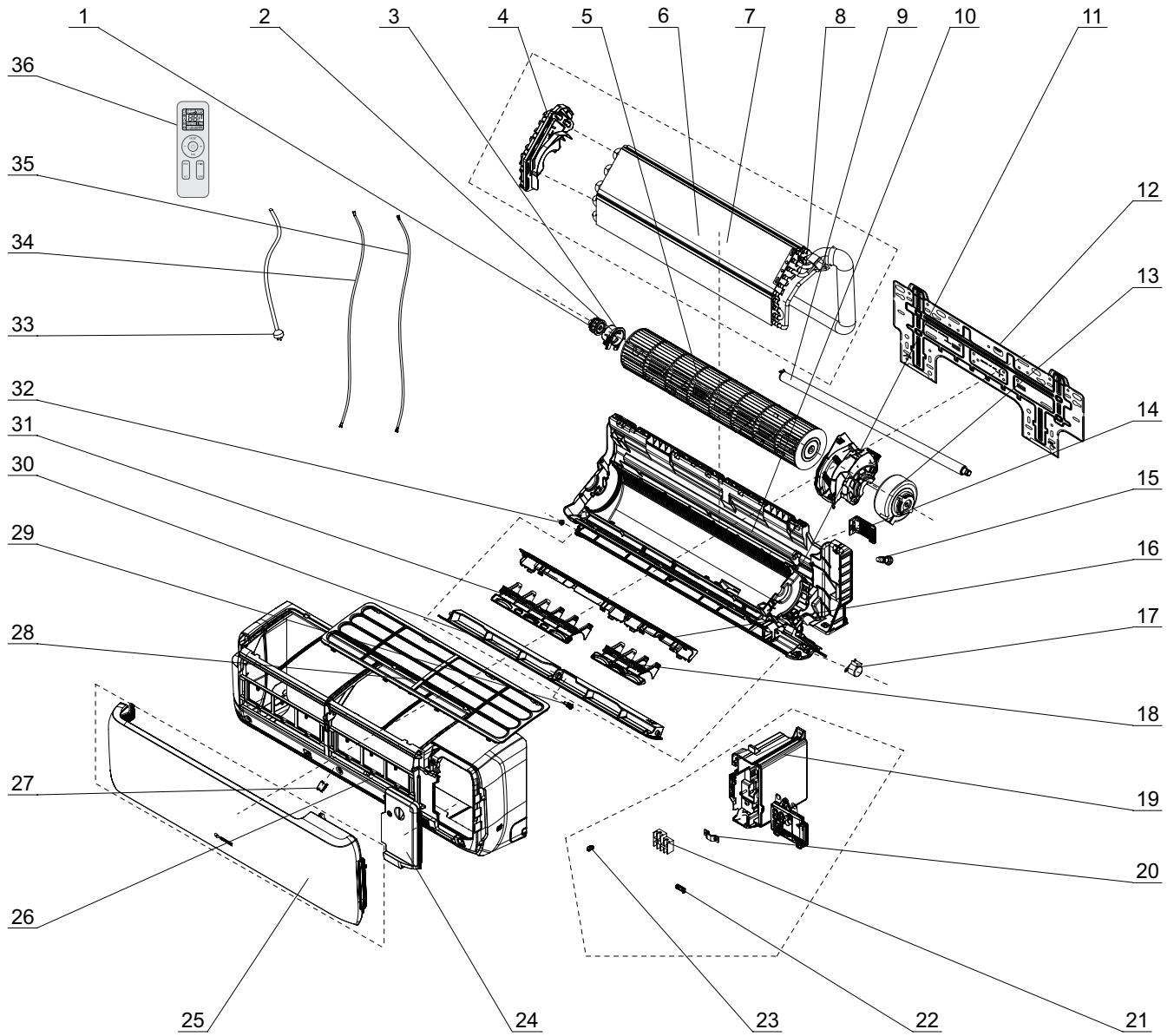
Outdoor Units

4LIV09HP115V1AO
4LIV12HP115V1AO
4LIV09HP230V1AO
4LIV12HP230V1AO
4LIV18HP230V1AO
4LIV24HP230V1AO
4LIV30HP230V1AO
4LIV36HP230V1AO

Exploded View and Parts List

Indoor Unit

ATA 4LIV05HP230V1AH 4LIV07HP230V1AH



The component picture is only for reference; please refer to the actual product.

Some models may not contain some parts, please refer to the actual product.



4LIV05HP230V1AH

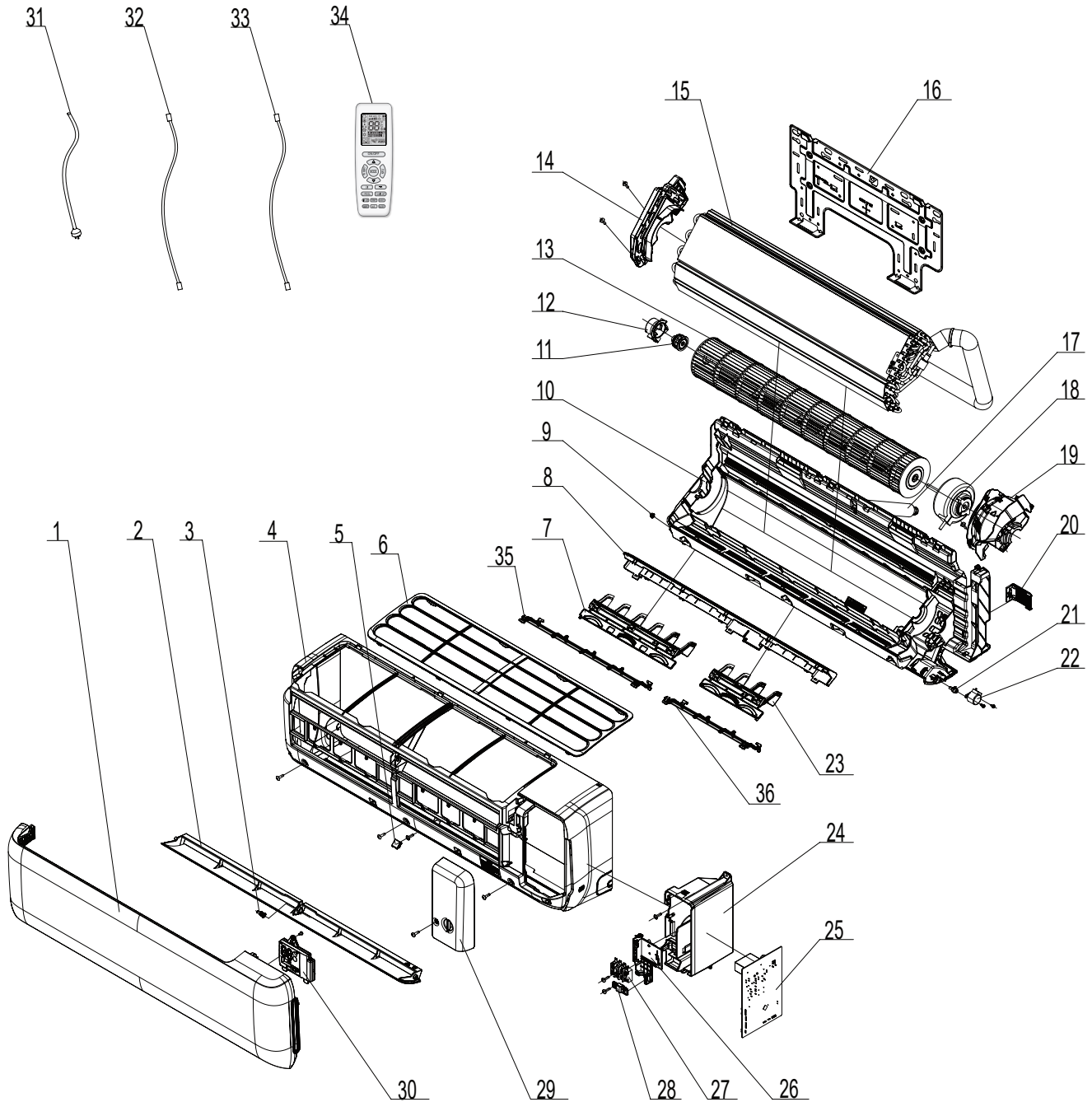
NO.	Part Description	Qty	Part Code
1	O-Gasket sub-assy of Bearing	1	76512051
2	Ring of Bearing	1	26152022
3	Axile Bush Sub-assy	1	10542047
4	Evaporator Support	1	200025060023
5	Cross Flow Fan	1	103001060037
6	Evaporator Sub-Assy	1	010001060717
7	Evaporator Assy	1	011001062407
8	Temp Sensor Sleevng	1	05212423
9	Drainage Hose	1	0523001408
10	Rear Case Sub-Assy	1	00037706007401
11	Rear Case assy	1	000001060291
12	Wall Mounting Frame	1	TBD
13	Fan Motor	1	1501211501
14	Connecting pipe clamp	1	200017000001
15	Rubber Plug (Water Tray)	1	76712012
16	Helicoid Tongue	1	200006060026
17	Stepping Motor	1	1521210712
18	Air Louver 2	1	200007060106
19	Electric Box Assy	1	100002076831
20	Cable Clamp 2	0	NONE
21	Terminal Board	1	422000000018
22	Wire Clamp	0	NONE
23	Jumper	1	4202021911
24	Electric Box Cover	1	200082060090
25	Front Panel	1	200003060303T
26	Front Case Sub-assy	1	209007060091
27	Screw Cover	1	20000500000101
28	Filter Sub-Assy	1	111001060339
29	Axile Bush	1	10542036
30	Guide Louver	1	200004060194
31	Air Louver 1	1	200007060105
32	Left Axile Bush	1	10512037
33	Power Cord	0	NONE
34	Connecting Cable	0	NONE
35	Connecting Cable	0	NONE
36	Remote Controller	1	305001000121

4LIV07HP230V1AH

NO.	Part Description	Qty	Part Code
1	O-Gasket sub-assy of Bearing	1	76512051
2	Ring of Bearing	1	26152022
3	Axile Bush Sub-assy	1	10542047
4	Evaporator Support	1	200025060023
5	Cross Flow Fan	1	103001060037
6	Evaporator Sub-Assy	1	010001060717
7	Evaporator Assy	1	011001062407
8	Temp Sensor Sleevng	1	05212423
9	Drainage Hose	1	0523001408
10	Rear Case Sub-Assy	1	00037706007401
11	Rear Case assy	1	000001060291
12	Wall Mounting Frame	1	TBD
13	Fan Motor	1	1501211501
14	Connecting pipe clamp	1	200017000001
15	Rubber Plug (Water Tray)	1	76712012
16	Helicoid Tongue	1	200006060026
17	Stepping Motor	1	1521210712
18	Air Louver 2	1	200007060106
19	Electric Box Assy	1	100002076803
20	Cable Clamp 2	0	NONE
21	Terminal Board	1	422000000018
22	Wire Clamp	0	NONE
23	Jumper	1	4202021914
24	Electric Box Cover	1	200082060090
25	Front Panel	1	200003060303T
26	Front Case Sub-assy	1	209007060091
27	Screw Cover	1	20000500000101
28	Filter Sub-Assy	1	111001060339
29	Axile Bush	1	10542036
30	Guide Louver	1	200004060194
31	Air Louver 1	1	200007060105
32	Left Axile Bush	1	10512037
33	Power Cord	0	NONE
34	Connecting Cable	0	NONE
35	Connecting Cable	0	NONE
36	Remote Controller	1	305001000121

Exploded View and Parts List (con't)

4LIV09HP115V1AH, 4LIV12HP115V1AH, 4LIV09HP230V1AH, 4LIV12HP230V1AH



The component picture is only for reference; please refer to the actual product.



4LIV09HP115V1AH

NO.	Part Description	Qty	Part Code
1	Front Panel	1	200003060306T
2	Guide Louver	1	200004060197
3	Axile Bush	1	10542036
4	Front Case	1	200002060087
5	Screw Cover	1	200005060030
6	Filter Sub-Assy	1	111001060341
7	Air Louver (left)	1	200007060108
8	Helicoid Tongue	1	200006060028
9	Left Axile Bush	1	10512037
10	Rear Case Sub-Assy	1	20900506003901
11	O-Gasket sub-assy of Bearing	1	76512051
12	Ring of Bearing	1	26152022
13	Cross Flow Fan	1	103001060038
14	Evaporator Support	1	200025060027
15	Evaporator Assy	1	01100106240501
16	Wall Mounting Frame	1	012043000008
17	Drainage Hose	1	05230014
18	Fan Motor	1	1501208911
19	Motor Press Plate	1	200020060016
20	Connecting pipe clamp	1	200017000001
21	Crank	1	10582070
22	Stepping Motor	1	1521210712
23	Air Louver(right)	1	200007060109
24	Electric Box Assy	1	100002077181
25	Main Board	1	300002063290
26	Supporter(Electric Box)	1	200114060113
27	Terminal Board	1	422000000022
28	Cable Clamp	1	26112183
29	Electric Box Cover	1	200082060091
30	Display Board	1	300001061316
31	Power Cord	0	NONE
32	Connecting Cable	0	NONE
33	Connecting Cable	0	NONE
34	Remote Controller	1	305001000121
35	Rear Grill Sub-assy	1	TBD
36	Rear Grill Sub-assy	1	TBD

4LIV12HP115V1AH

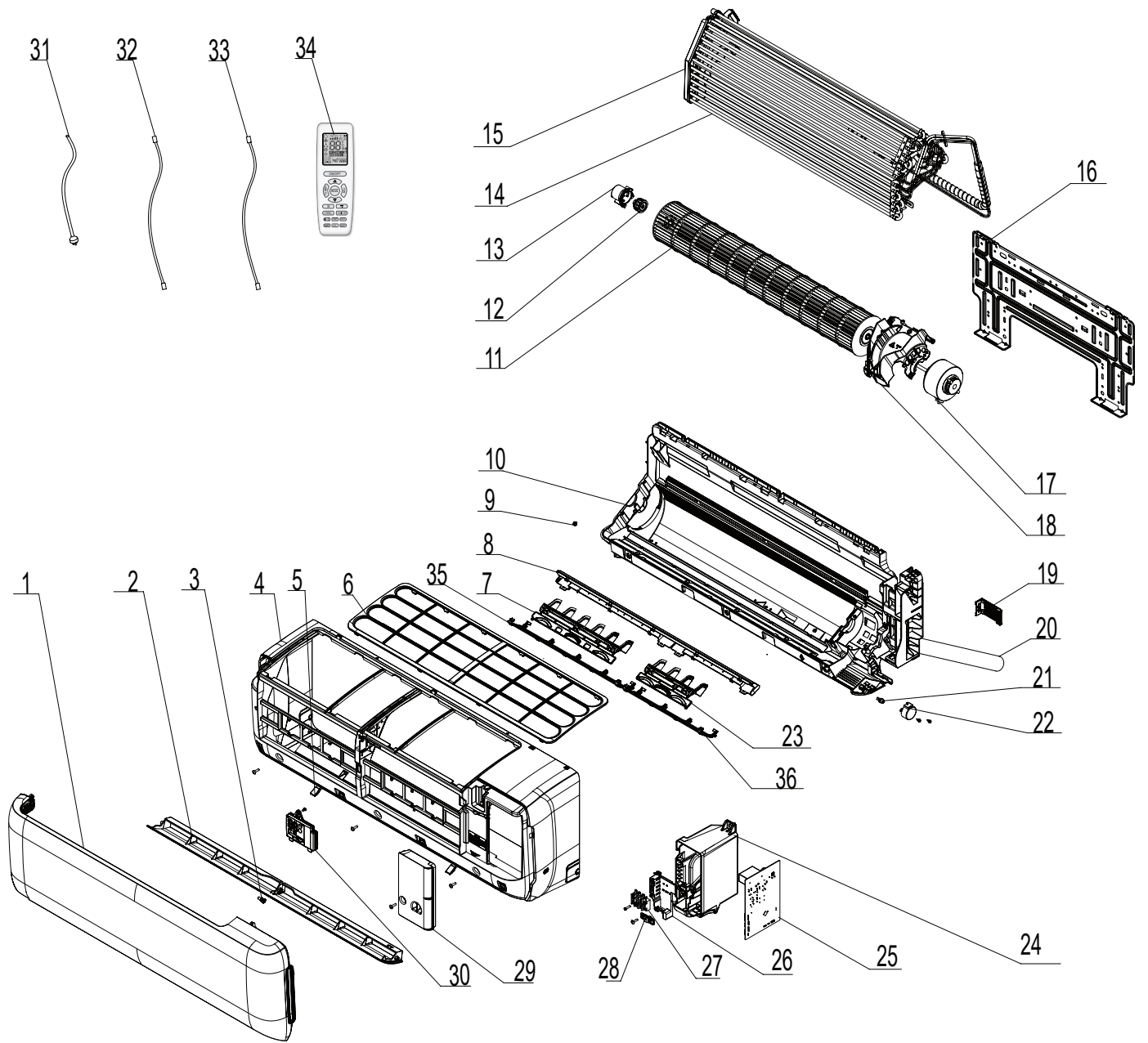
NO.	Part Description	Qty	Part Code
1	Front Panel	1	200003060306T
2	Guide Louver	1	200004060197
3	Axile Bush	1	10542036
4	Front Case	1	200002060087
5	Screw Cover	1	200005060030
6	Filter Sub-Assy	1	111001060341
7	Air Louver (left)	1	200007060108
8	Helicoid Tongue	1	200006060028
9	Left Axile Bush	1	10512037
10	Rear Case Sub-Assy	1	20900506003901
11	O-Gasket sub-assy of Bearing	1	76512051
12	Ring of Bearing	1	26152022
13	Cross Flow Fan	1	103001060038
14	Evaporator Support	1	200025060027
15	Evaporator Assy	1	01100106240501
16	Wall Mounting Frame	1	012043000008
17	Drainage Hose	1	05230014
18	Fan Motor	1	15012511
19	Motor Press Plate	1	200020060016
20	Connecting pipe clamp	1	200017000001
21	Crank	1	10582070
22	Stepping Motor	1	1521210712
23	Air Louver(right)	1	200007060109
24	Electric Box Assy	1	100002077155
25	Main Board	1	300002063325
26	Supporter(Electric Box)	1	200114060113
27	Terminal Board	1	422000000022
28	Cable Clamp	1	26112183
29	Electric Box Cover	1	200082060091
30	Display Board	1	300001061316
31	Power Cord	0	NONE
32	Connecting Cable	0	NONE
33	Connecting Cable	0	NONE
34	Remote Controller	1	305001000121
35	Rear Grill Sub-assy	1	TBD
36	Rear Grill Sub-assy	1	TBD

4LIV09HP230V1AH

NO.	Part Description	Qty	Part Code
1	Front Panel	1	200003060306T
2	Guide Louver	1	200004060197
3	Axile Bush	1	10542036
4	Front Case	1	200002060087
5	Screw Cover	1	200005060030
6	Filter Sub-Assy	1	111001060341
7	Air Louver (left)	1	200007060108
8	Helicoid Tongue	1	200006060028
9	Left Axile Bush	1	10512037
10	Rear Case Sub-Assy	1	20900506003901
11	O-Gasket sub-assy of Bearing	1	76512051
12	Ring of Bearing	1	26152022
13	Cross Flow Fan	1	103001060038
14	Evaporator Support	1	200025060027
15	Evaporator Assy	1	01100106240501
16	Wall Mounting Frame	1	012043000008
17	Drainage Hose	1	05230014
18	Fan Motor	1	15010106028201
19	Motor Press Plate	1	200020060016
20	Connecting pipe clamp	1	200017000001
21	Crank	1	10582070
22	Stepping Motor	1	1521210712
23	Air Louver(right)	1	200007060109
24	Electric Box Assy	1	100002077013
25	Main Board	1	300002063291
26	Supporter(Electric Box)	1	200114060113
27	Terminal Board	1	422000000022
28	Cable Clamp	1	26112183
29	Electric Box Cover	1	200082060091
30	Display Board	1	300001061316
31	Power Cord	0	NONE
32	Connecting Cable	0	NONE
33	Connecting Cable	0	NONE
34	Remote Controller	1	305001000121
35	Rear Grill Sub-assy	1	TBD
36	Rear Grill Sub-assy	1	TBD

4LIV12HP230V1AH

NO.	Part Description	Qty	Part Code
1	Front Panel	1	200003060306T
2	Guide Louver	1	200004060197
3	Axile Bush	1	10542036
4	Front Case	1	200002060087
5	Screw Cover	1	200005060030
6	Filter Sub-Assy	1	111001060341
7	Air Louver (left)	1	200007060108
8	Helicoid Tongue	1	200006060028
9	Left Axile Bush	1	10512037
10	Rear Case Sub-Assy	1	20900506003901
11	O-Gasket sub-assy of Bearing	1	76512051
12	Ring of Bearing	1	26152022
13	Cross Flow Fan	1	103001060038
14	Evaporator Support	1	200025060027
15	Evaporator Assy	1	01100106240501
16	Wall Mounting Frame	1	012043000008
17	Drainage Hose	1	05230014
18	Fan Motor	1	150104060117
19	Motor Press Plate	1	200020060016
20	Connecting pipe clamp	1	200017000001
21	Crank	1	10582070
22	Stepping Motor	1	1521210712
23	Air Louver(right)	1	200007060109
24	Electric Box Assy	1	100002077155
25	Main Board	1	300002063325
26	Supporter(Electric Box)	1	200114060113
27	Terminal Board	1	422000000022
28	Cable Clamp	1	26112183
29	Electric Box Cover	1	200082060091
30	Display Board	1	300001061316
31	Power Cord	0	NONE
32	Connecting Cable	0	NONE
33	Connecting Cable	0	NONE
34	Remote Controller	1	305001000121
35	Rear Grill Sub-assy	1	TBD
36	Rear Grill Sub-assy	1	TBD

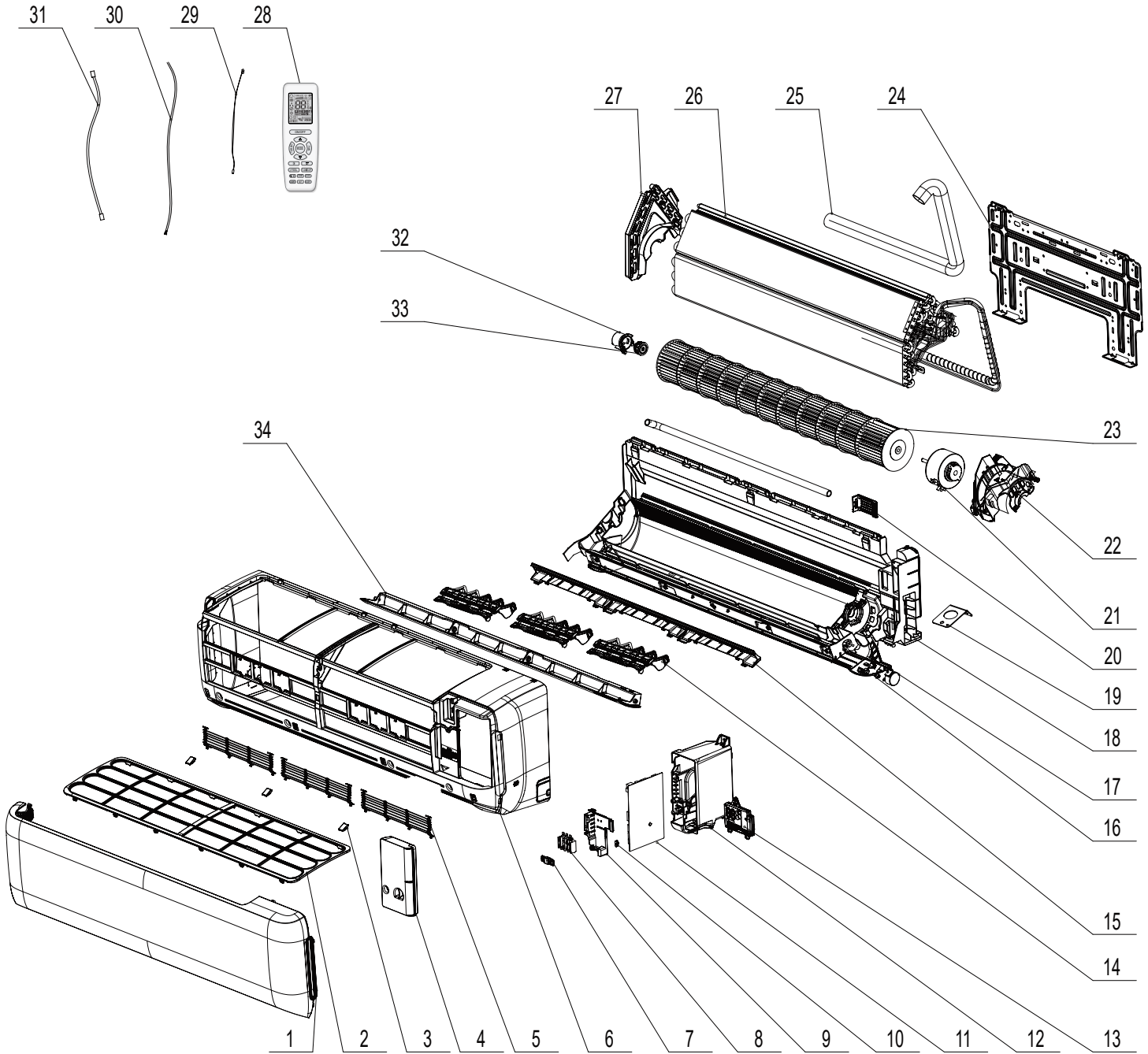


The component picture is only for reference; please refer to the actual product.

4LIV18HP230V1AH

NO.	Part Description	Qty	Part Code
1	Front Panel	1	200003060305T
2	Guide Louver	1	200004060196
3	Axile Bush	1	10542036
4	Front Case	1	200002060086
5	Screw Cover	1	200005060031
6	Filter Sub-Assy	1	111001060338
7	Air Louver (left)	1	200007060112
8	Helicoid Tongue	1	200006060029
9	Left Axile Bush	1	10512037
10	Rear Case Sub-Assy	1	00037706007901
11	Cross Flow Fan	1	103001060034
12	Ring of Bearing	1	26152025
13	O-Gasket sub-assy of Bearing	1	76512051
14	Evaporator Assy	1	011001062414
15	Evaporator Support	1	200025060024
16	Wall Mounting Frame	1	012043060024
17	Fan Motor	1	15010406008801
18	Motor Press Plate	1	200020060014
19	Connecting pipe Clamp	1	200017060004
20	Drainage Hose	1	05230014
21	Crank	1	10582070
22	Stepping Motor	1	1521240212
23	Air Louver(right)	1	200007060113
24	Electric Box Assy	1	100002077263
25	Main Board	1	300002063327
26	Supporter(Electric Box)	1	200114060112
27	Terminal Board	1	422000000022
28	Cable Clamp	1	26112183
29	Electric Box Cover	1	200082060089
30	Display Board	1	300001061316
31	Power Cord	0	NONE
32	Connecting Cable	0	NONE
33	Connecting Cable	0	NONE
34	Remote Controller	1	305001000121
35	Rear Grill Sub-assy 2	1	TBD
36	Rear Grill Sub-assy 1	1	TBD

4LIV24HP230V1AH



The component picture is only for reference; please refer to the actual product.



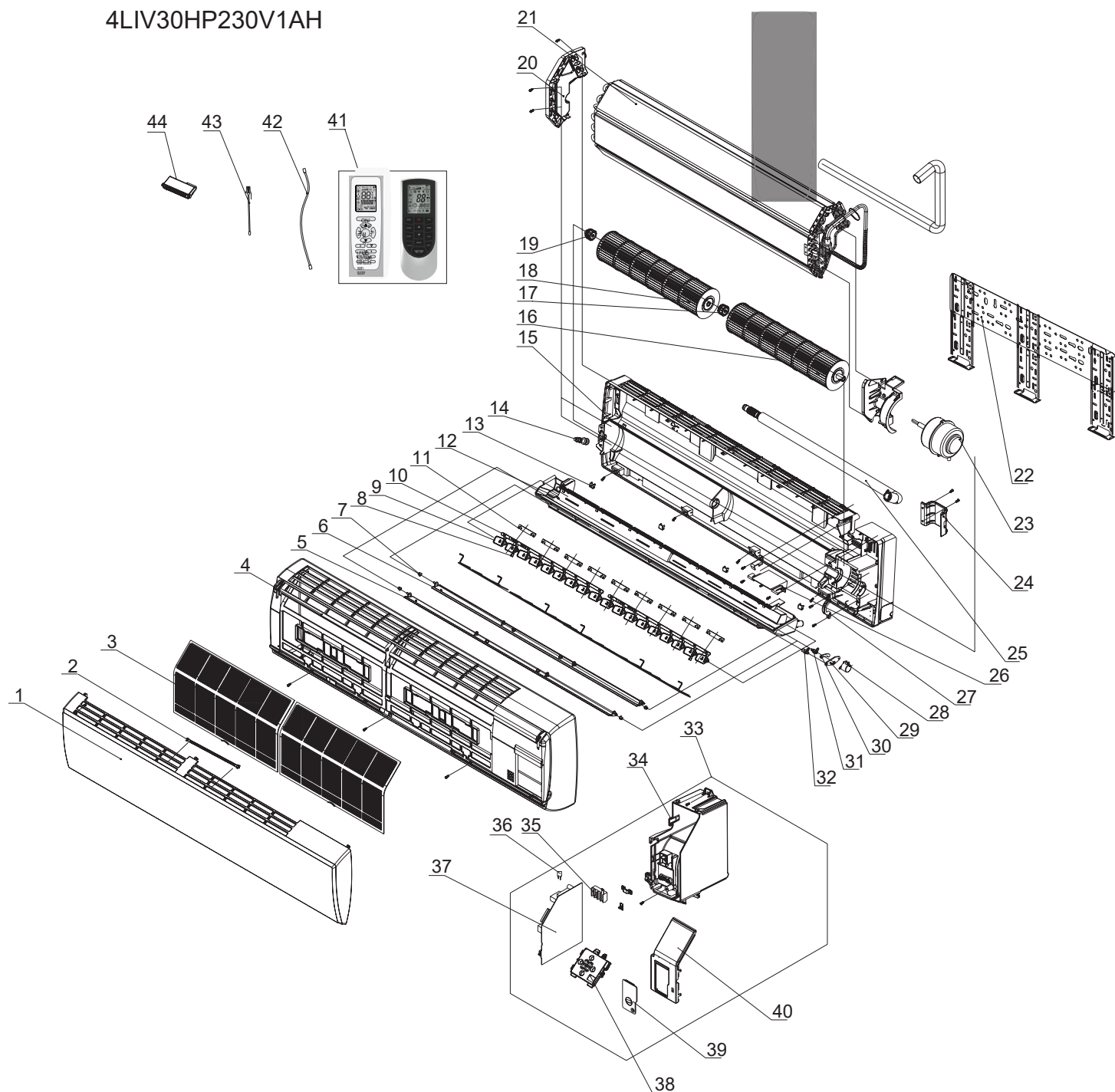
4LIV24HP230V1AH

NO.	Part Description	Qty	Part Code
1	Front Panel	1	200003060302T
2	Filter Sub-Assy	1	111001060337
3	Screw Cover	1	200005060031
4	Electric Box Cover	1	200082060089
5	Rear Grill Sub-assy	1	TBD
6	Front Case	1	000002060329
7	Cable Clamp 2	1	TBD
8	Terminal Board	1	422000000022
9	Supporter(Electric Box)	1	TBD
10	Jumper	1	4202021924
11	Main Board	1	300002063327
12	Electric Box	1	200013060122
13	Display Board	1	300001061316
14	Air Louver	1	200007060102
15	Helicoid Tongue	1	200006060025
16	Crank	1	10582070
17	Stepping Motor	1	1521240210
18	Rear Case	1	00000106029202
19	Cable Cross Plate	1	TBD
20	Connecting pipe clamp	1	200017060004
21	Fan Motor	1	15010406008801
22	Motor Press Plate	1	200020060017
23	Cross Flow Fan	1	103001060035
24	Wall Mounting Frame	1	012043060024
25	Heat Insulating Hose	1	TBD
26	Evaporator Assy	1	01100106241101
27	Evaporator Support	1	200025060025
28	Remote Controller	1	305001000121
29	Temperature Sensor	1	3900031302
30	Connecting Cable	0	NONE
31	Connecting Cable	0	NONE
32	O-Gasket sub-assy of Bearing	1	76512051
33	Ring of Bearing	1	26152025
34	Guide Louver	1	200004060196

Exploded View and Parts List

Indoor Unit

4LIV30HP230V1AH



The component picture is only for reference; please refer to the actual product.



4LIV30HP230V1AH

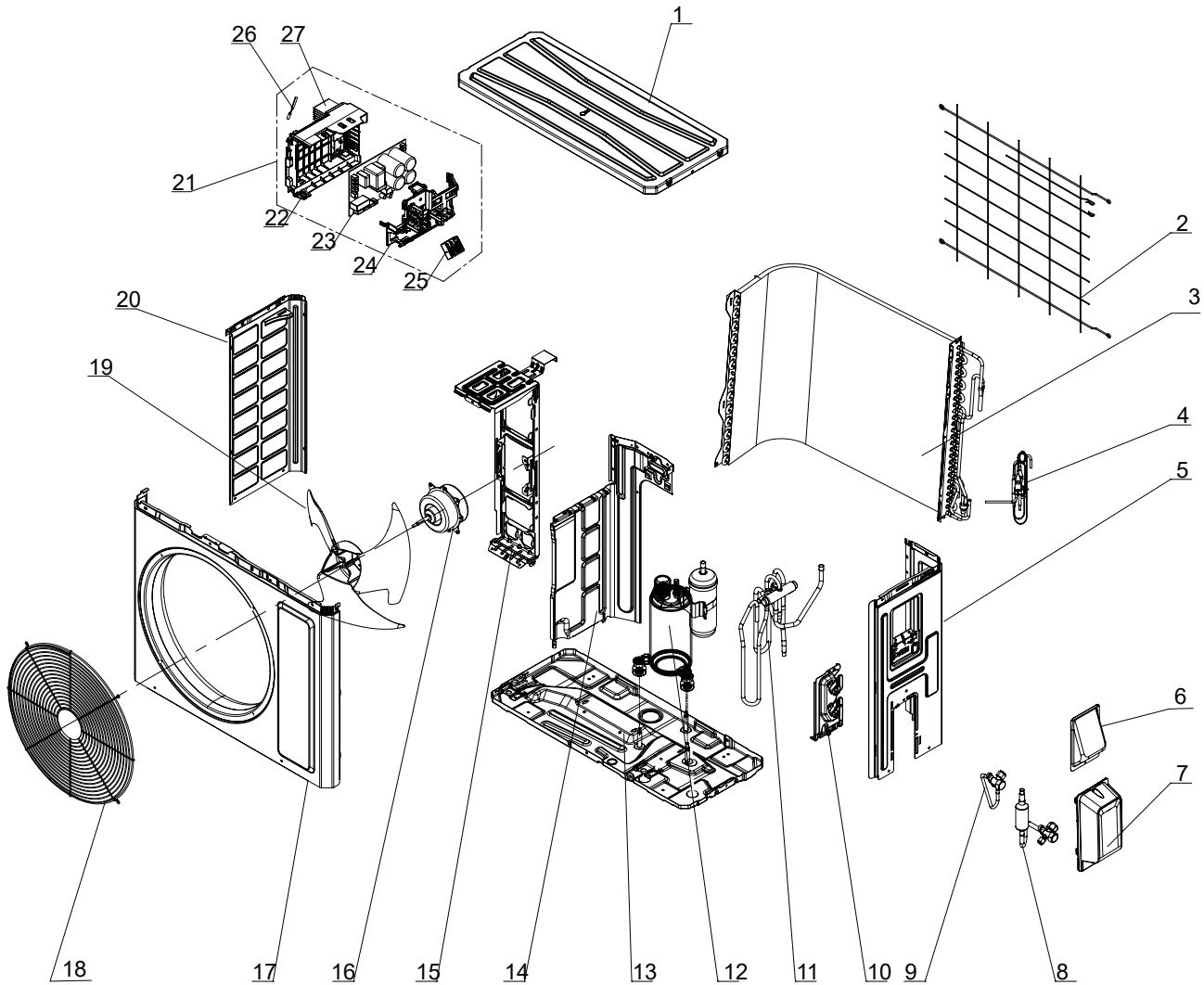
NO.	Part Description	qty	Part Code
1	Front Panel	1	20000300022T
2	Stand Bar	1	2421212001
3	Filter Sub-Assy	1	1112210602
4	Front Case	1	20900700005
5	Guide Louver (upper)	1	1051216601
6	Guide Louver (lower)	1	1051216701
7	Axile Bush	1	10542704
8	Air Louver 2	1	1051216902
9	Air Louver 1	1	1051216802
10	Connecting Rod	1	10582086
11	Louver Clamp	1	TBD
12	Water Tray	1	2018213802
13	Screw Cover	1	2425200506
14	Rubber Plug (Water Tray)	1	76712012
15	Rear Case	1	00000100113
16	Cross Flow Fan 1	1	10352039
17	Bearing Holder Sub-assy	1	26152028
18	Cross Flow Fan 2	1	10352040
19	O-Gasket sub-assy of Bearing	1	76512051
20	Left Evaporator Support	1	24212041
21	Evaporator Assy	1	0110010029901
22	Wall Mounting Frame	1	01252398
23	Fan Motor	1	150104060096
24	Pipe Clamp	1	26112071
25	Drainage Hose	1	0523001404
26	Cover Plate	1	2012212402
27	Motor Fixed Clip 1	1	TBD
28	Stepping Motor	1	1521210701
29	Press Plate(Crank)	1	26112070
30	Crank-guide	1	10582041
31	Upper Crank	1	10562004
32	Lower crank	1	10562005
33	Electric Box Assy	1	100002075452
34	Electric Box	1	200013060015
35	Terminal Board	1	422000000022
36	Jumper	0	NONE
37	Main Board	1	300002062589
38	Display Board	1	30565277
39	Electric Box Cover 2	1	200082060022
40	Electric Box Cover	1	200082060023
41	Remote Controller	1	305001060107
42	Connecting Cable	0	NONE
43	Temperature Sensor	1	390000592
44	Detecting Plate		TBD

4LIV36HP230V1AH

NO.	Part Description	qty	Part Code
1	Front Panel	1	20000300022T
2	Stand Bar	1	2421212001
3	Filter Sub-Assy	1	1112210602
4	Front Case	1	20900700005
5	Guide Louver (upper)	1	1051216601
6	Guide Louver (lower)	1	1051216701
7	Axile Bush	1	10542704
8	Air Louver 2	1	1051216902
9	Air Louver 1	1	1051216802
10	Connecting Rod	1	10582086
11	Louver Clamp	1	TBD
12	Water Tray	1	2018213802
13	Screw Cover	1	2425200506
14	Rubber Plug (Water Tray)	1	76712012
15	Rear Case	1	00000100113
16	Cross Flow Fan 1	1	10352039
17	Bearing Holder Sub-assy	1	26152028
18	Cross Flow Fan 2	1	10352040
19	O-Gasket sub-assy of Bearing	1	76512051
20	Left Evaporator Support	1	24212041
21	Evaporator Assy	1	011001060880
22	Wall Mounting Frame	1	01252398
23	Fan Motor	1	150104060096
24	Pipe Clamp	1	26112071
25	Drainage Hose	1	0523001404
26	Cover Plate	1	2012212402
27	Motor Fixed Clip 1	1	TBD
28	Stepping Motor	1	NONE
29	Press Plate(Crank)	1	26112070
30	Crank-guide	1	10582041
31	Upper Crank	1	10562004
32	Lower crank	1	10562005
33	Electric Box Assy	1	100002075452
34	Electric Box	1	200013060015
35	Terminal Board	1	422000000022
36	Jumper	0	NONE
37	Main Board	1	300002062589
38	Display Board	1	30565277
39	Electric Box Cover 2	1	200082060022
40	Electric Box Cover	1	200082060023
41	Remote Controller	1	305001060107
42	Connecting Cable	0	NONE
43	Temperature Sensor	1	390000592
44	Detecting Plate		TBD

Outdoor Unit

4LIV09HP115V1AO 4LIV12HP115V1AO 4LIV09HP230V1AO 4LIV12HP230V1AO



The component picture is only for reference; please refer to the actual product.

NO.	Description
1	Coping
2	Rear Grill
3	Condenser Assy
4	Capillary Sub-Assy
5	Right Side Plate
6	Cover of Pass Wire
7	Valve Cover
8	Cut-off valve Sub-Assy
9	Cut-off valve

NO.	Description
10	Valve Support
11	4-way valve assy
12	Compressor and Fittings
13	Chassis Sub-Assy
14	Clapboard
15	Motor Support
16	Brushless DC Motor
17	Cabinet
18	Front Grill

NO.	Description
19	Axial Flow Fan
20	Left Side Plate
21	Electric Box Assy
22	Electric Box
23	Main Board
24	Electric Box Cover
25	Terminal Board
26	Temperatue Sensor
27	Radiator

Some models may not contain some parts, please refer to the actual product.



4LIV09HP115V1AO

NO.	Part Description	Qty	Part Code
1	Top Cover	1	012049060124P
2	Rear Grille	1	TBD
3	Condenser Assy	1	011002061561
4	Capillary Sub-Assy	1	TBD
5	Right Side Plate	1	00008106026603
6	Cover of Pass Wire	1	TBD
7	Valve Cover	1	TBD
8	Cut-off valve Sub-Assy (gas)	1	030057060359
9	Cut-off valve Sub-Assy (liq)	1	TBD
10	Valve Support	1	012044060022P
11	4-way valve assy	1	030152061183
12	Compressor and Fittings	1	009001060716
13	Chassis Sub-Assy	1	017000060724P
14	Clapboard	1	012051060895
15	Motor Support	1	012048060149
16	Brushless DC Motor	1	150104060095
17	Cabinet	1	01202206001202P01
18	Front Grille	1	00000306073401
19	Axial Flow Fan	1	10333428
20	Left Side Plate	1	012055060397P01
21	Electric Box Assy	1	100002077188
22	Electric Box	1	200013060073
23	Main Board	1	300027062890
24	Electric Box Cover	1	20008206005801
25	Terminal Board	1	422000060075
26	Temperature Sensor	1	3900030811
27	Radiator	1	430034060084

4LIV12HP115V1AO

NO.	Part Description	Qty	Part Code
1	Top Cover	1	012049060124P
2	Rear Grille	1	TBD
3	Condenser Assy	1	011002061561
4	Capillary Sub-Assy	1	TBD
5	Right Side Plate	1	00008106026603
6	Cover of Pass Wire	1	TBD
7	Valve Cover	1	TBD
8	Cut-off valve Sub-Assy (gas)	1	030057060359
9	Cut-off valve Sub-Assy (liq)	1	TBD
10	Valve Support	1	012044060022P
11	4-way valve assy	1	030152061185
12	Compressor and Fittings	1	009001060648
13	Chassis Sub-Assy	1	017000060724P
14	Clapboard	1	012051060895
15	Motor Support	1	012048060149
16	Brushless DC Motor	1	150104060095
17	Cabinet	1	01202206001202P01
18	Front Grille	1	00000306073401
19	Axial Flow Fan	1	10333428
20	Left Side Plate	1	012055060397P01
21	Electric Box Assy	1	100002077188
22	Electric Box	1	200013060073
23	Main Board	1	300027062890
24	Electric Box Cover	1	20008206005801
25	Terminal Board	1	422000060075
26	Temperature Sensor	1	3900030811
27	Radiator	1	430034060084

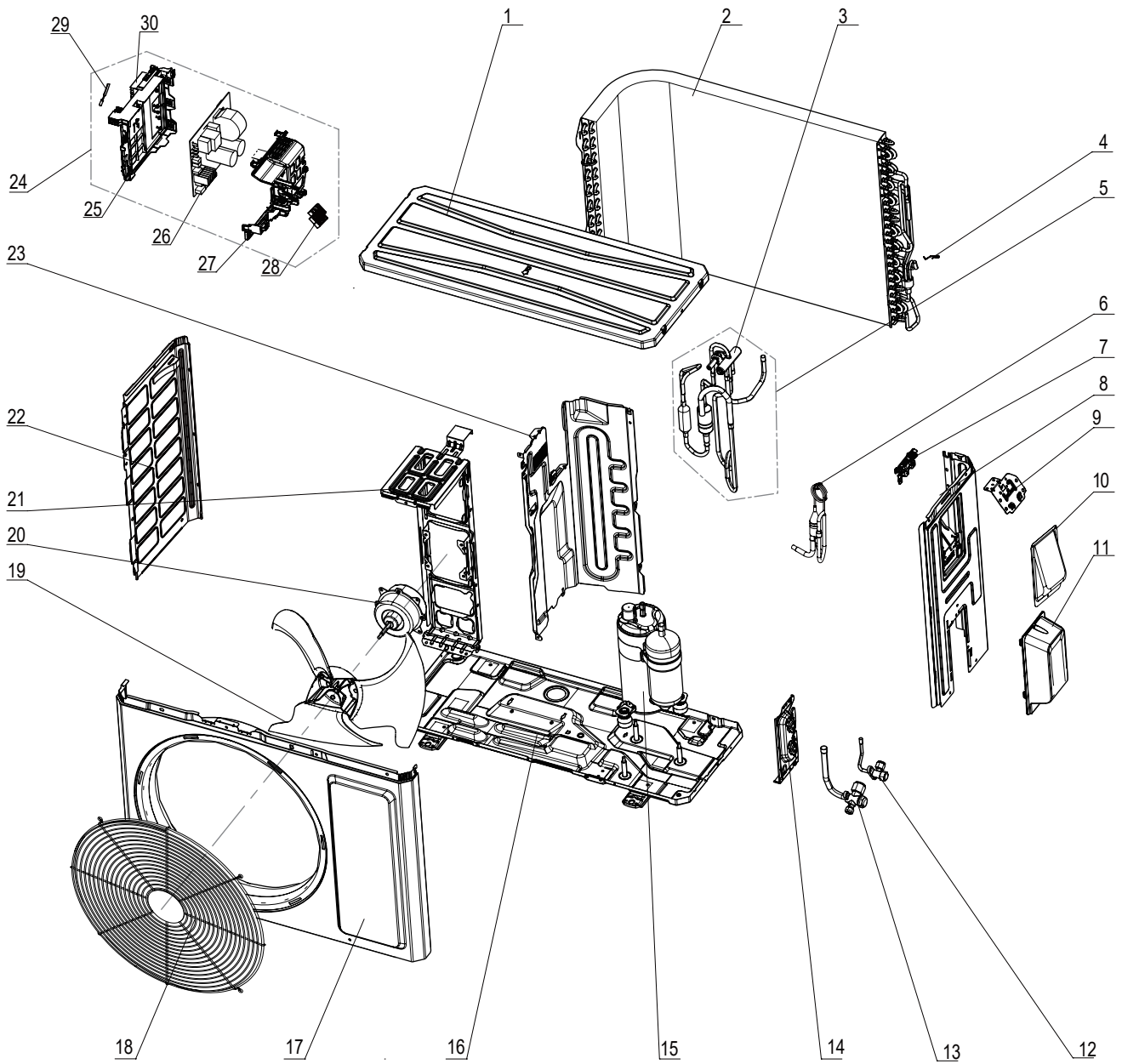
4LIV09HP230V1AO

NO.	Part Description	Qty	Part Code
1	Top Cover	1	012049060124P
2	Rear Grille	1	TBD
3	Condenser Assy	1	011002061561
4	Capillary Sub-Assy	1	TBD
5	Right Side Plate	1	00008106028005
6	Cover of Pass Wire	1	TBD
7	Valve Cover	1	TBD
8	Cut-off valve Sub-Assy (gas)	1	030057060359
9	Cut-off valve Sub-Assy (liq)	1	TBD
10	Valve Support	1	012044060022P
11	4-way valve assy	1	030152060865
12	Compressor and Fittings	1	009001060739
13	Chassis Sub-Assy	1	017000060724P
14	Clapboard	1	012051060895
15	Motor Support	1	012048060149
16	Brushless DC Motor	1	150104060095
17	Cabinet	1	01202206001202P01
18	Front Grille	1	00000306073401
19	Axial Flow Fan	1	10333428
20	Left Side Plate	1	012055060397P01
21	Electric Box Assy	1	100002077007
22	Electric Box	1	200013060073
23	Main Board	1	300027062832
24	Electric Box Cover	1	20008206005801
25	Terminal Board	1	42200006007501
26	Temperature Sensor	1	3900030811
27	Radiator	1	430034060108

4LIV12HP230V1AO

NO.	Part Description	Qty	Part Code
1	Top Cover	1	012049060124P
2	Rear Grille	1	TBD
3	Condenser Assy	1	011002061547
4	Capillary Sub-Assy	1	TBD
5	Right Side Plate	1	00008106028005
6	Cover of Pass Wire	1	TBD
7	Valve Cover	1	TBD
8	Cut-off valve Sub-Assy (gas)	1	030057060359
9	Cut-off valve Sub-Assy (liq)	1	TBD
10	Valve Support	1	012044060022P
11	4-way valve assy	1	030152061185
12	Compressor and Fittings	1	009001060648
13	Chassis Sub-Assy	1	017000060724P
14	Clapboard	1	012051060895
15	Motor Support	1	012048060149
16	Brushless DC Motor	1	150104060095
17	Cabinet	1	01202206001202P01
18	Front Grille	1	00000306073401
19	Axial Flow Fan	1	10333428
20	Left Side Plate	1	012055060397P01
21	Electric Box Assy	1	100002077142
22	Electric Box	1	200013060073
23	Main Board	1	300027062849
24	Electric Box Cover	1	20008206005801
25	Terminal Board	1	42200006007501
26	Temperature Sensor	1	3900030811
27	Radiator	1	430034060108

4LIV18HP230V1AO



The component is only for reference; please refer to the actual product

NO.	Description
1	Top Cover Assy
2	Condenser Assy
3	4-Way Valve
4	Tempreture Sensor clamp
5	4-Way Valve Assy
6	Capillary Sub-assy
7	Wire Clamp
8	Right Side Plate
9	Earthing Plate Sub-assy
10	Cover of Pass Wire

NO.	Description
11	Valve Cover
12	Cut-off valve 1/4(N)
13	Cut-off valve 1/2(N)
14	Valve Support
15	Compressor and Fittings
16	Chassis Sub-assy
17	Cabinet
18	Front Grill
19	Axial Flow Fan
20	Brushless DC Motor

NO.	Description
21	Motor Support
22	Left Side Plate
23	Clapboard Assy
24	Electric Box Assy
25	Electric Box
26	Main Board
27	Electric Box Cover
28	Terminal Board
29	Temperature Sensor
30	Radiator

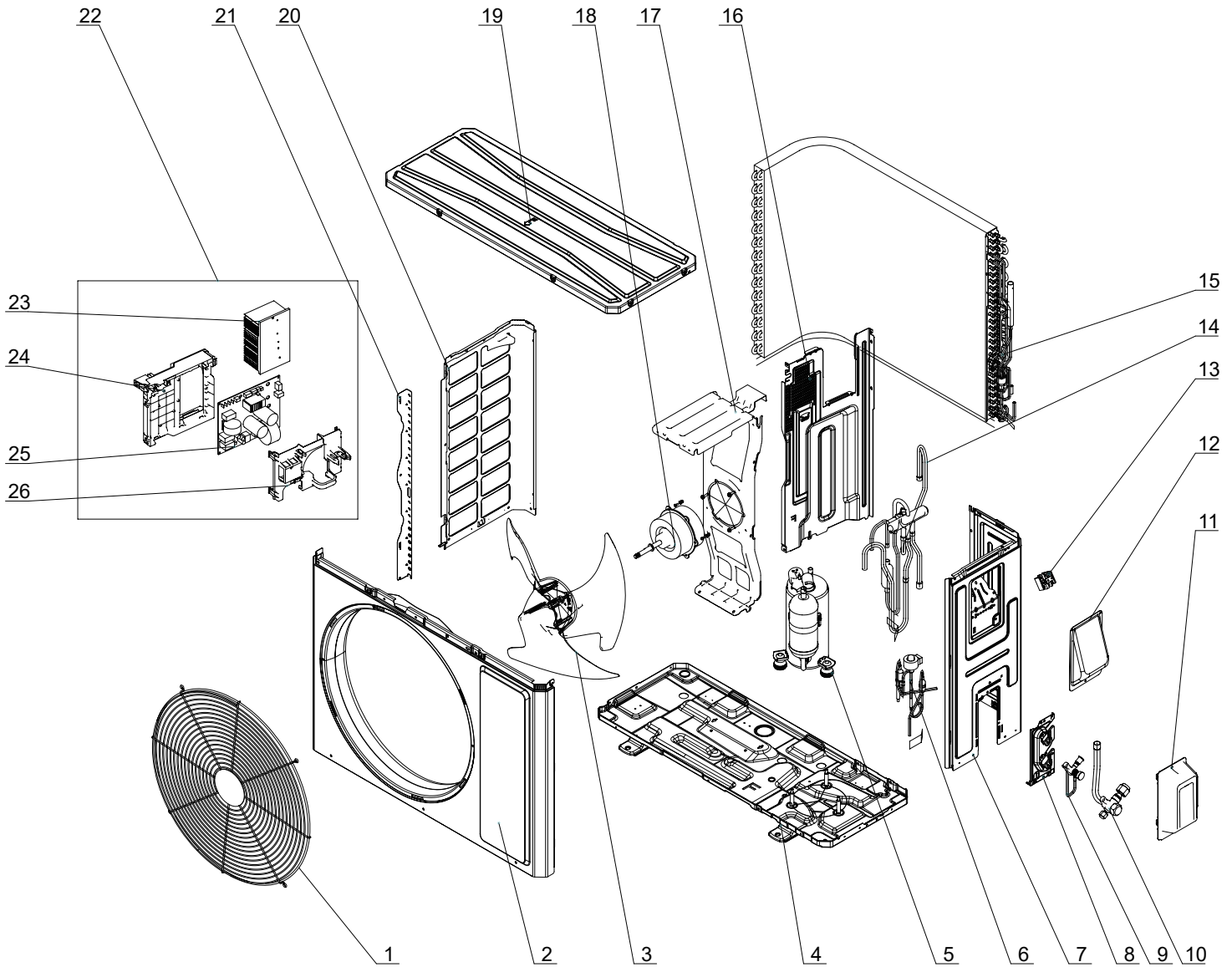
Some models may not contain some parts, please refer to the actual product.



4LIV18HP230V1AO

NO.	Part Description	Qty	Part Code
1	Top Cover Assy	1	000097060355
2	Condenser Assy	1	011002061823
3	4-Way Valve	1	TBD
4	Temperature Sensor clamp	1	TBD
5	4-Way Valve Assy	1	#N/A
6	Capillary Sub-assy	1	TBD
7	Wire Clamp	1	TBD
8	Right Side Plate	1	00008106028902
9	Earthing Plate Sub-assy	1	TBD
10	Cover of Pass Wire	1	TBD
11	Valve Cover	1	200087060004
12	Cut-off valve 1/4(N)	1	070001060022
13	Cut-off valve 1/2(N)	1	070001060024
14	Valve Support	1	012044060022P
15	Compressor and Fittings	1	009001060656
16	Chassis Sub-assy	1	017000060759P
17	Cabinet	1	01202206001002P01
18	Front Grille	1	016004060011
19	Axial Flow Fan	1	103002060015
20	Brushless DC Motor	1	150104060095
21	Motor Support	1	000046060148
22	Left Side Plate	1	012055060395P01
23	Clapboard Assy	1	000075060126
24	Electric Box Assy	1	100002077262
25	Electric Box	1	TBD
26	Main Board	1	300027062917
27	Electric Box Cover	0	NONE
28	Terminal Board	1	42200006007501
29	Temperature Sensor	1	TBD
30	Radiator	1	TBD

4LIV24HP230V1AO



The component is only for reference; please refer to the actual product

NO.	Description
1	Front Grill
2	Front Panel
3	Axial Flow Fan
4	Chassis Sub-assy
5	Compressor and Fittings
6	Electronic Expansion Valve
7	Right Side Plate
8	Valve Support
9	Cut-off valve 1/4(N)
10	Cut-off valve 5/8(N)
11	Valve Cover
12	Cover of Pass Wire
13	Terminal Board

NO.	Description
14	4-Way Valve Assy
15	Condenser Assy
16	Clapboard Assy
17	Motor Support
18	Motor
19	Top Cover Assy
20	Left Side Plate
21	Condenser Left Border Plate
22	Electric Box Assy
23	Radiator
24	Electric Box
25	Main Board
26	Electric Box Cover

Some models may not contain some parts, please refer to the actual product.

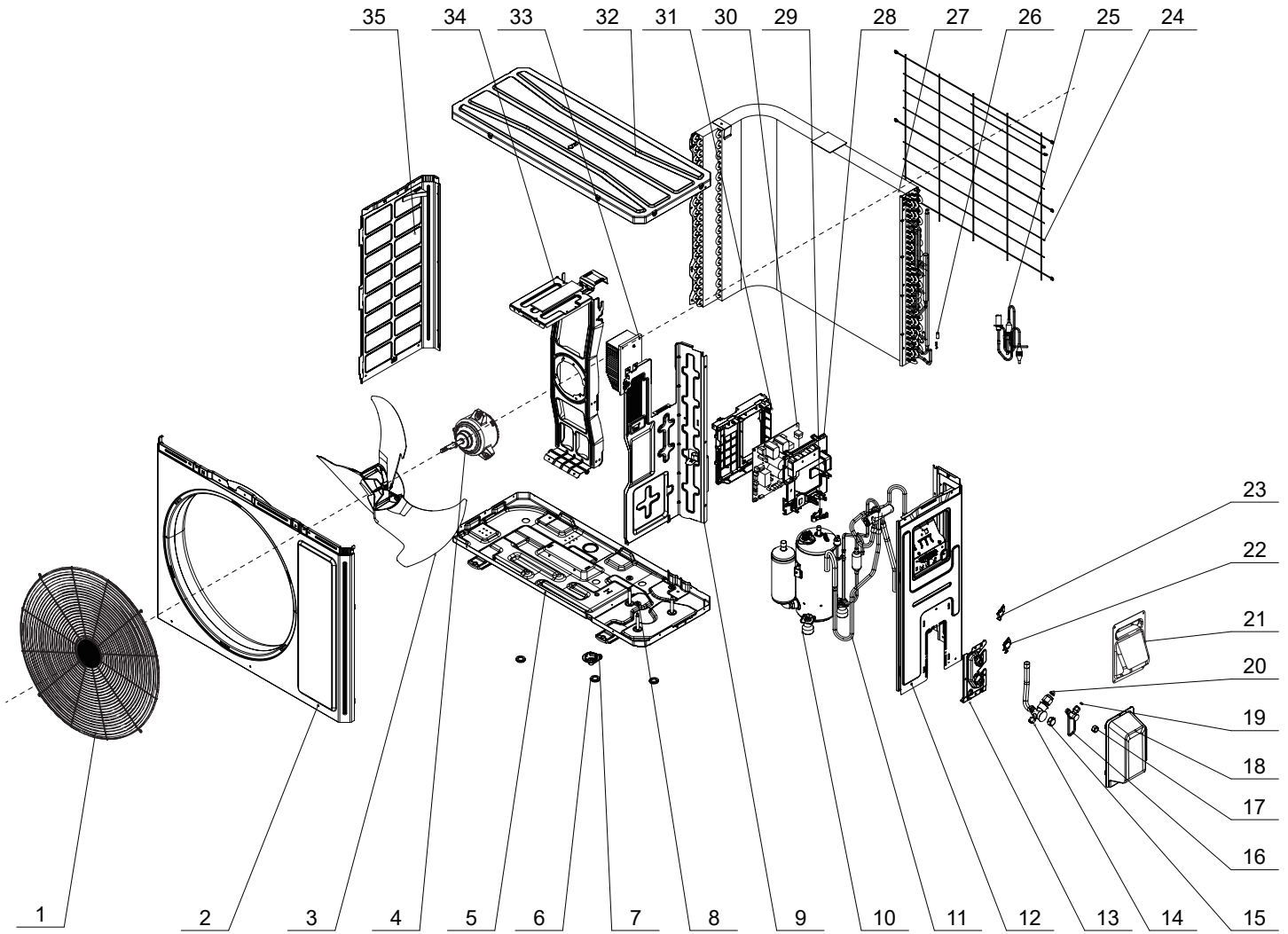


4LIV24HP230V1AO

NO.	Part Description	Qty	Part Code
1	Front Grille	1	016004060017
2	Front Panel	1	01207306161101P
3	Axial Flow Fan	1	10335262
4	Chassis Sub-assy	1	01700006076102P
5	Compressor and Fittings	1	009001060617
6	Electronic Expansion Valve	1	43005016
7	Right Side Plate	1	01205606038704P
8	Valve Support	1	012044060032P
9	Cut-off valve 1/4(N)	1	070001060027
10	Cut-off valve 5/8(N)	1	070001060032
11	Valve Cover	1	200087060005
12	Handle	1	01221006000701P
13	Terminal Board	1	42200006007501
14	4-Way Valve Assy	1	030152060999
15	Condenser Assy	1	011002061698
16	Clapboard Assy	1	000075060131
17	Motor Support	1	012048060145
18	Fan Motor	1	15010106051103
19	Top Cover Assy	1	00009706033301
20	Left Side Plate	1	012055060393P
21	Condenser Left Border Plate	1	012009060219
22	Electric Box Assy	1	100002075605
23	Radiator	1	43003406011601
24	Electric Box	1	20001306008501
25	Main Board	1	300027062572
26	Electric Box Cover	1	20008206006801

Exploded View and Parts List

4LIV30HP230V1AO 4LIV36HP230V1AO



The component picture is only for reference; please refer to the actual product.

NO.	Description
1	Front Grill
2	Cabinet
3	Axial Flow Fan
4	Brushless DC Motor
5	Chassis Sub-assy
6	Drainage Plug
7	Drainage Connector
8	Cushioned Nut
9	Clap Board Assy
10	Compressor and fittings
11	4-way Valve Assy
12	Right Side Plate Assy

NO.	Description
13	Valve Support Sub
14	Cut-off Valve
15	Back Cover Nut
16	Cut-off Valve
17	Back Cover Nut
18	Valve Cover
19	Union Nut
20	Union Nut
21	Handle
22	Support
23	Valve Support Baffle
24	Rear Grill

NO.	Description
25	Electronic Expansion Valve assy
26	Temperature Sensor
27	Condenser Assy
28	Electric Box Cover
29	Pipe Clamp
30	Main Board
31	Electric box
32	Top Cover-assy
33	Motherboard radiator
34	Motor Support Sub-Assy
35	Left Side Plate

Some models may not contain some parts, please refer to the actual product.



4LIV30HP230V1AO

NO.	Part Description	Qty	Part Code
1	Front Grille	1	016004060018
2	Cabinet	1	01202206001901P
3	Axial Flow Fan	1	103002060027
4	Fan Motor	1	150104060094
5	Chassis Sub-assy	1	01700006071103P
6	Drainage Plug	1	06813401
7	Drainage Connector	1	26113009
8	Cushioned Nut	1	70310013
9	Clapboard Assy	1	000075060173
10	Compressor and fittings	1	009001060755
11	4-way Valve Assy	1	030152060863
12	Right Side Plate Assy	1	00008106022709
13	Valve Support Sub	1	012044060031P
14	Cut-off valve 5/8(N)	1	070001060032
15	Back Cover Nut	1	03623001
16	Cut-off valve 1/4(N)	1	070001060022
17	Back Cover Nut	1	03623001
18	Valve Cover	1	200087060008
19	Pipe Connection Nut ("I" shape)	1	06320005
20	Pipe Connection Nut ("D" shape)	1	06320004
21	Handle	1	01221006000601P
22	Support	1	2001140006802
23	Valve Support Baffle	1	2611301702
24	Rear Grille	1	016001060087
25	Capillary Tube	1	037002060369
26	Temperature Sensor	1	3900030815
27	Condenser Assy	1	011002061925
28	Electric Box Cover	1	20008206007701
29	Pipe Clamp	0	NONE
30	Main Board	1	300027062529
31	Electric box	1	20001306010201
32	Top Cover	1	000051060149
33	Radiator	1	430034060150
34	Motor Support Sub-Assy	1	017012060411
35	Left Side Plate	1	012055060389P

4LIV36HP230V1AO

NO.	Part Description	Qty	Part Code
1	Front Grille	1	016004060018
2	Cabinet	1	01202206001901P
3	Axial Flow Fan	1	103002060027
4	Fan Motor	1	150104060094
5	Chassis Sub-assy	1	01700006071117P
6	Drainage Plug	1	06813401
7	Drainage Connector	1	26113009
8	Cushioned Nut	1	70310013
9	Clapboard Assy	1	000075060173
10	Compressor and fittings	1	009001060690
11	4-way Valve Assy	1	030152060838
12	Right Side Plate Assy	1	00008106022709
13	Valve Support Sub	1	012044060031P
14	Cut-off valve 5/8(N)	1	070001060032
15	Back Cover Nut	1	03623001
16	Cut-off valve 1/4(N)	1	070001060022
17	Back Cover Nut	1	03623001
18	Valve Cover	1	200087060008
19	Pipe Connection Nut ("I" shape)	1	06320005
20	Pipe Connection Nut ("D" shape)	1	6320004
21	Handle	1	01221006000601P
22	Support	1	2001140006802
23	Valve Support Baffle	1	2611301702
24	Rear Grille	1	016001060087
25	Capillary Tube	1	037002060369
26	Temperature Sensor	1	3900030815
27	Condenser Assy	1	011002061909
28	Electric Box Cover	1	20008206007701
29	Pipe Clamp	0	NONE
30	Main Board	1	300027062716
31	Electric box	1	20001306010201
32	Top Cover	1	000051060149
33	Radiator	1	430034060150
34	Motor Support Sub-Assy	1	017012060411
35	Left Side Plate	1	012055060389P